



**Modular Cooking Range Line  
thermaline 90 - 900 mm Passthrough  
open base, 2 Sides (H2) - H=450**

ITEM # \_\_\_\_\_

MODEL # \_\_\_\_\_

NAME # \_\_\_\_\_

SIS # \_\_\_\_\_

AIA # \_\_\_\_\_



589189 (MC2ACCIOOO) Passthrough Open Base,  
two-side operated - H2

### Short Form Specification

Item No. \_\_\_\_\_

900 mm wide open passthrough base compartment to store pots, pans, sheet pans, etc. with hygienic design and round edges. Internal frame for heavy duty sturdiness in stainless steel. Flat surface construction, easily cleanable. IPX5 water resistant certification. Configuration: Two-side operated freestanding base, hygienic class H2.

### Main Features

- Open base compartment for storage of pots, pans, sheet pans, etc.
- All major components may be easily accessed from the front.
- Unit to be placed below modular top appliances to store pots, pans, sheet pans, etc.

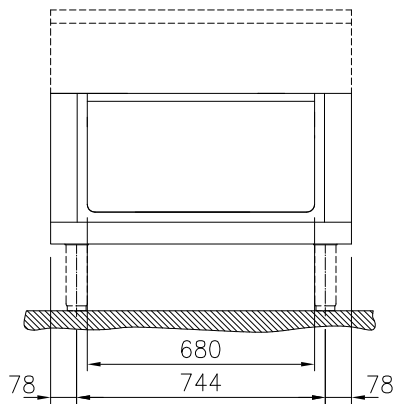
### Construction

- Hygienic design of the open base compartment with large round edges.
- IPX5 water resistance certification.
- 2 mm top in 1.4301 (AISI 304).
- Flat surface construction with minimal hidden areas to easily clean all surfaces
- Internal frame for heavy duty sturdiness in stainless steel.

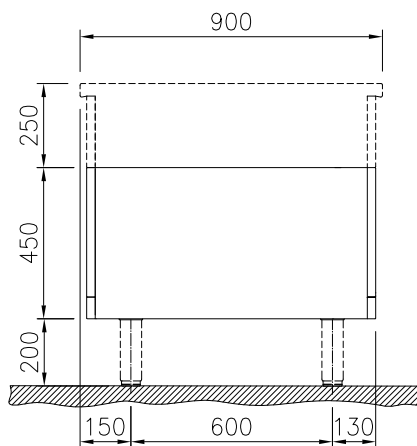
APPROVAL: \_\_\_\_\_



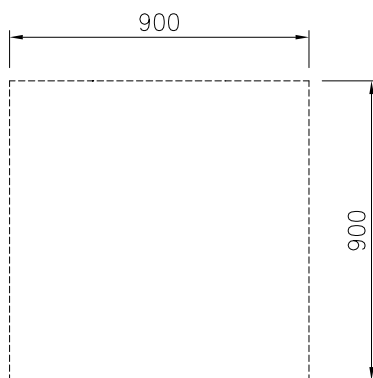
Front



Side



Top


**Key Information:**

External dimensions, Width:	
589189 (MC2ACCIOO)	900 mm
External dimensions, Depth:	900 mm
External dimensions, Height:	450 mm
Cupboard Cavity Dimensions (width):	680 mm
Cupboard Cavity Dimensions (height):	330 mm
Cupboard Cavity Dimensions (depth):	860 mm
Net weight:	23 kg

### Optional Accessories

- Stainless steel side panel, 900x700mm, freestanding PNC 912512
- Stainless steel front kicking strip, 900mm width PNC 912635
- Stainless steel side kicking strip left and right, freestanding, 900mm width PNC 912657
- Stainless steel plinth, freestanding, 900mm width PNC 912959
- Perforated shelf for warming cabinets and cupboard bases (two-side operated for TL90) PNC 913238
- Side reinforced panel only in combination with side shelf, for freestanding units PNC 913260
- Shelf fixation for TL90 two-side operated PNC 913284
- Stainless steel dividing panel, 900x700mm, (it should only be used between Electrolux Professional thermaline Modular 90 and thermaline C90) PNC 913672
- Stainless steel side panel, 900x700mm, flush-fitting (it should only be used against the wall, against a niche and in between Electrolux Professional thermaline and ProThermetic appliances and external appliances - provided that these have at least the same dimensions) PNC 913688